

# DC-DC Converter DCDCW300 Series

For Rail & Industrial Applications

## Specification

### General

Safety EN 60950, VDE 0805  
overload- and short-circuit protected

### Electrical data

#### Input

Nominal input voltage 48/60V<sub>DC</sub> (38-72V<sub>DC</sub>)  
110V<sub>DC</sub> (77-150V<sub>DC</sub>)  
(110V<sub>DC</sub>: for 1 sec. up to 165V<sub>DC</sub>)

#### Output

Nominal output voltage 24V<sub>DC</sub>, (22V<sub>DC</sub>-26V<sub>DC</sub> adjustable)  
48V<sub>DC</sub>, (46V<sub>DC</sub>-50V<sub>DC</sub> adjustable)  
60V<sub>DC</sub>, (58V<sub>DC</sub>-62V<sub>DC</sub> adjustable) –  
only with 48/60V<sub>DC</sub> input voltage  
isolated, "floating"

Output voltage

Stability

Efficiency

Output power

±0,5V<sub>DC</sub>

>85%

300W

Parallel operation

via passive load current sharing,  
falling curve

### Environmental conditions

Ambient temperature

At installation point

Relative humidity

-25°C to +45°C

-25°C to +60°C, non condensing

<75% average per year

Shock and vibration  
(in combination with  
optional coating)

according to EN50155, „mounted  
into the frame“  
frequency range: 5-150Hz  
transfer frequency: 8,2Hz

Amplitude

Amplitude acceleration

below transit frequency: 7,5mm  
above transit frequency 20m/s<sup>2</sup>

### EMC

Burst

Surge

according to EN50121-3-2,  
2kV, crit. A, directly coupled  
1,8kV / source 100 Ohm,  
1,0kV / source 2 Ohm,  
(for alarm contact 1,5kV)

Conductive HF

3V RMS 1kHz AM, 80%,  
150kHz - 80MHz

ESD

8kV air, 6kV contact

Emitted disturbance  
immunity

10V/m 80MHz-1GHz, 80% AM,  
900MHz pulse modulated

Conductive emissions

99 dB $\mu$ V QP 150kHz- 500kHz,  
93 dB $\mu$ V 500kHz-30MHz



Picture may differ from actual device.

Conductive

disturbance, radiated 30-230MHz 47 dB $\mu$ V/m QP.  
230MHz-1GHz 40 dB $\mu$ V/m QP.  
10m measuring distance

Test voltage

according to EN50155 with  
1,5kV<sub>AC</sub> (prim.-> sec./PE)  
500V<sub>AC</sub> (sec.->prim./PE)

### Signals

Alarm output

potential free alarm contact,  
contact load 60V<sub>DC</sub>, 100mA

Opt. signal

LED, yellow = converter o.k.

### Mechanical data

Dimensions

Weight

Protection class

Cooling

(W x D x H) 140 x 180 x 85 mm  
approx. 1,7kg  
IP 30  
via heat sink, free convection

### Connection

Input

Output

Signal

cage clamp, 2,5mm<sup>2</sup>  
cage clamp, 2,5mm<sup>2</sup>  
cage clamp, 2,5mm<sup>2</sup>

### Warranty

24 months

### Order code

DCDCW300-60-24  
DCDCW300-60-48  
DCDCW300-60-60  
DCDCW300-110-24  
DCDCW300-110-48

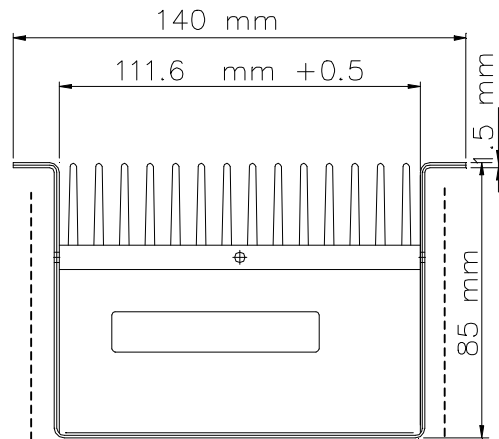
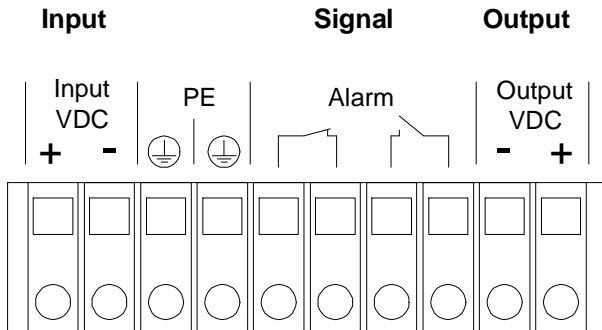
(Optional formal coating and add. glued components)

# DC-DC Converter DCDCW300 Series

For Rail and Industrial Applications

## Specification

### Connection characteristic



### Connector type

Pluggable cage clamp-connector, 10 pole, 2,5mm<sup>2</sup>, with locking function, manufacturer: Wago.

### Mechanical data

#### Drill position

