

DC-DC Converter DCDCW300 Series

For Rail & Industrial Applications

Specification

General

Safety EN 60950, VDE 0805
overload- and short-circuit protected

Electrical data

Input

Nominal input voltage 48/60V_{DC} (38-72V_{DC})
110V_{DC} (77-150V_{DC})
(110V_{DC}: for 1 sec. up to 165V_{DC})

Output

Nominal output voltage 24V_{DC}, (22V_{DC}-26V_{DC} adjustable)
48V_{DC}, (46V_{DC}-50V_{DC} adjustable)
60V_{DC}, (58V_{DC}-62V_{DC} adjustable) –
only with 48/60V_{DC} input voltage
isolated, "floating"

Output voltage

Stability

Efficiency

Output power

+/-0,5V_{DC}

>85%

300W

Parallel operation

via passive load current sharing,
falling curve

Environmental conditions

Ambient temperature

At installation point

Relative humidity

-25°C to +45°C

-25°C to +60°C, non condensing

<75% average per year

Shock and vibration
(in combination with
optional coating)

according to EN50155, „mounted
into the frame“
frequency range: 5-150Hz
transfer frequency: 8,2Hz

Amplitude

Amplitude acceleration

below transit frequency: 7,5mm
above transit frequency 20m/s²

EMC

Burst

Surge

according to EN50121-3-2,
2kV, crit. A, directly coupled
1,8kV / source 100 Ohm,
1,0kV / source 2 Ohm,
(for alarm contact 1,5kV)

Conductive HF

ESD

Emitted disturbance
immunity

Conductive emissions

3V RMS 1kHz AM, 80%,
150kHz - 80MHz

8kV air, 6kV contact

10V/m 80MHz-1GHz, 80% AM,
900MHz pulse modulated
99 dB μ V QP 150kHz- 500kHz,
93 dB μ V 500kHz-30MHz



Picture may differ from actual device.

Conductive

disturbance, radiated 30-230MHz 47 dB μ V/m QP.
230MHz-1GHz 40 dB μ V/m QP.
10m measuring distance

Test voltage

according to EN50155 with
1,5kV_{AC} (prim.-> sec./PE)
500V_{AC} (sec.->prim./PE)

Signals

Alarm output

potential free alarm contact,
contact load 60V_{DC}, 100mA

Opt. signal

LED, yellow = converter o.k.

Mechanical data

Dimensions

Weight

Protection class

Cooling

(W x D x H) 140 x 180 x 85 mm
approx. 1,7kg
IP 30
via heat sink, free convection

Connection

Input

Output

Signal

cage clamp, 2,5mm²
cage clamp, 2,5mm²
cage clamp, 2,5mm²

Warranty

24 months

Order code

DCDCW300-60-24
DCDCW300-60-48
DCDCW300-60-60
DCDCW300-110-24
DCDCW300-110-48

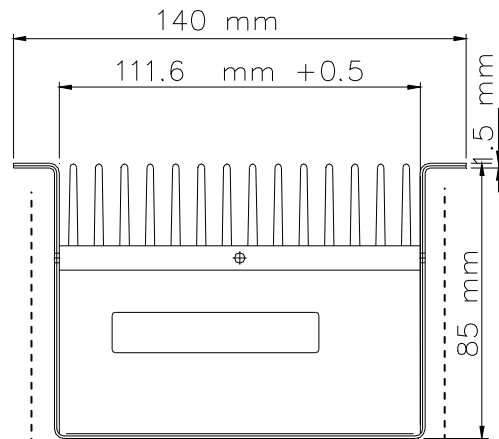
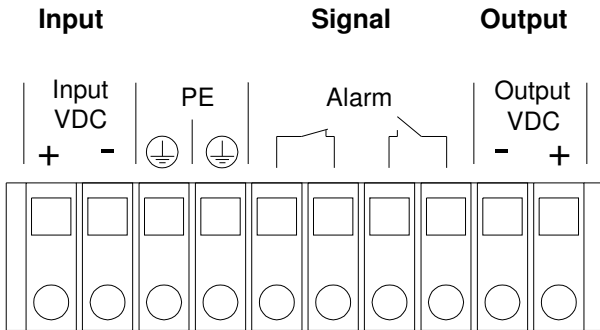
(Optional formal coating and add. glued components)

DC-DC Converter DCDCW300 Series

For Rail and Industrial Applications

Specification

Connection characteristic



Connector type

Pluggable cage clamp-connector, 10 pole, 2,5mm², with locking function, manufacturer: Wago.

Mechanical data

Drill position

